

ELECTRIC LINEAR ACTUATOR NL SERIES

<http://www.emico.co.kr>



EMICO

EUNHA MACHINERY INDUSTRIAL CO.,LTD(EMICO)

□ Performance

Type	Max Output Thrust	Speed (50/60Hz)	Stroke	Duty Cycle	Rated Current										Motor		Number of Handle Turns	Valve Stem Threads (Max)	Pillar Threads	PCD in Flange	Weight
					110V		220V		380V		440V		DC 24V								
					KN	mm/sec	mm	S4 (%)	50Hz	60Hz	50Hz	60Hz	50Hz	60Hz	50Hz	60Hz					
NL04	4	0.7/0.83	40	50	0.46	0.43	0.28	0.27	0.11	0.09	0.1	0.09	1.65	15	F (150°)	190	M20	M16	100	16	
NL06	6	0.7/0.9	40	50	0.73	0.72	0.38	0.37	0.14	0.12	0.12	0.11	1.87	25	F (150°)		M20	M16	100	16	
NL08	8	0.7/0.8	50	50	0.84	0.81	0.46	0.43	0.16	0.14	0.15	0.13	2.46	25	F (150°)	250	M20	M16	100	18	
NL10	10	0.7/0.8	50	50	1.52	1.5	0.79	0.75	0.25	0.24	0.23	0.21	4.02	40	F (150°)		M20	M16	100	18	
NL20	20	0.85/1	100	50	1.9	1.95	1	1.5	0.33	0.33	0.25	0.32	9.45	60	F (150°)	475	M24	M20	150	31	
NL25	25	0.72/0.87	100	50	2.53	3.25	1.05	1.45	0.45	0.45	0.54	0.45	-	90	F (150°)	550	M24	M20	150	31	

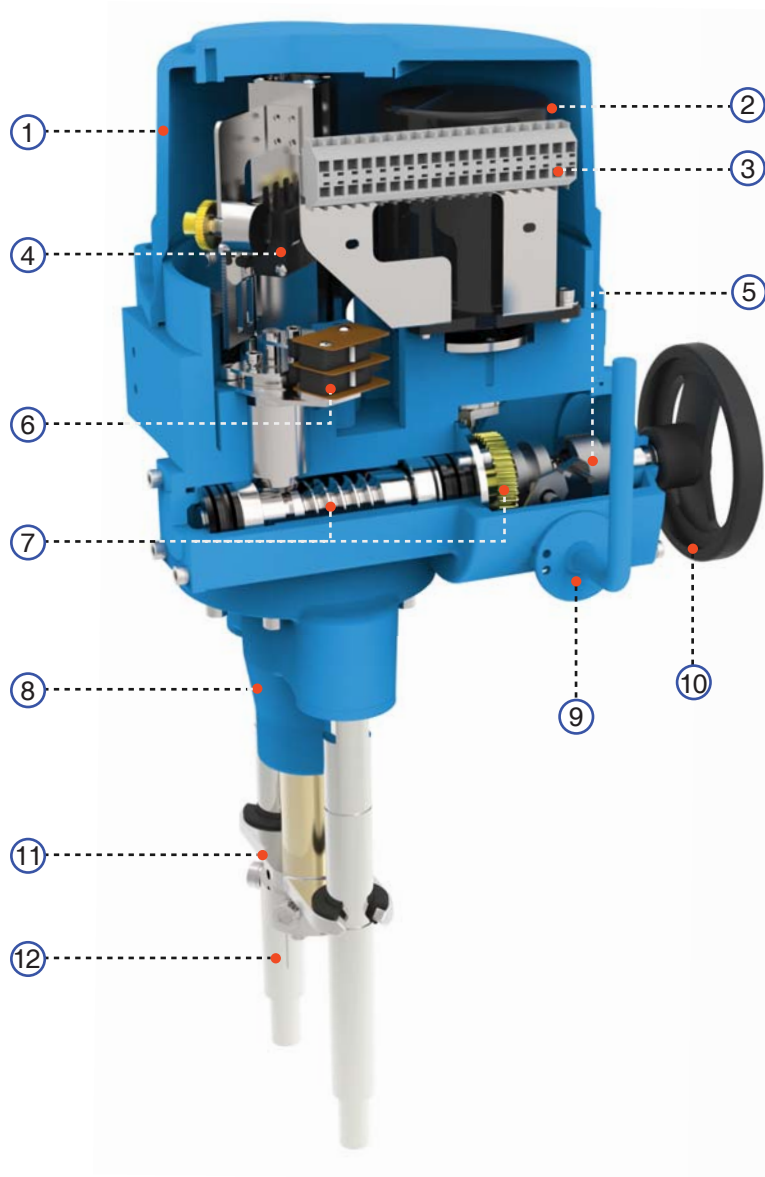
□ Standard Specification

Enclosure	Watertight Ingress Protection 67 Nema 4 and 6 (Option : IP68, Ex d IIB T4)
Ambient Temperature	-20°C ~ +70°C 150°C/1hr
Power Supply	110 / 220V AC 50/60Hz , 380 / 440V AC 50/60Hz, Option : DC24V
Torque Switches	Open / Close Torque Switch (※Except : NL04 , NL06)
Limit Switches	Open / Close Limit Switch
Stall Protection	Thermal Protection (Open 150°C)
Indicator	Continuous Position Indicator
Manual Override	Hand / Auto Declutching Mechanism
Self Locking	Provided by Means of Worm Gearing
Space Heater	20W
Conduit Entries	Two PF 3/4" (Option : Two M20 Pitch 1.5 , Two NPT 3/4")
Lubrication	Shell Gadus S2 V220 2
Materials	Aluminium
Surface Treatment	Anodizing
External Coating	Polyester
Dielectric Strength	AC1800V / 1min
Insulation	DC500V more Than 100M Ohm

□ Optional Specification

E X P	Explosion Proof Ex d IIB T4
IP68	Watertight Enclosure IP68
A L S	Auxiliary Open, Close Limit Switches
A T S	Auxiliary Open, Close Torque Switches
L C U	Local Control Unit
P C U	Proportional Contact Unit (Modulation) Input : 4-20mA DC 1~5VDC, 2~10VDC, 0~5VDC, 0~10VDC Output : 4-20mA DC
C P T	Current Position Transmitter / Output : DC 4-20mA
P I U	Potentiometer 1 K Ohm
I M S	Integral Motor Starter
INTEGRAL	

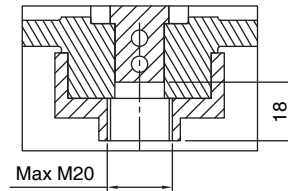
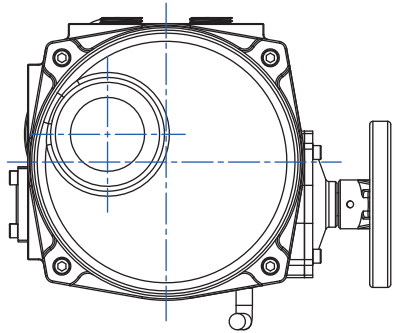
NL Series Configuration



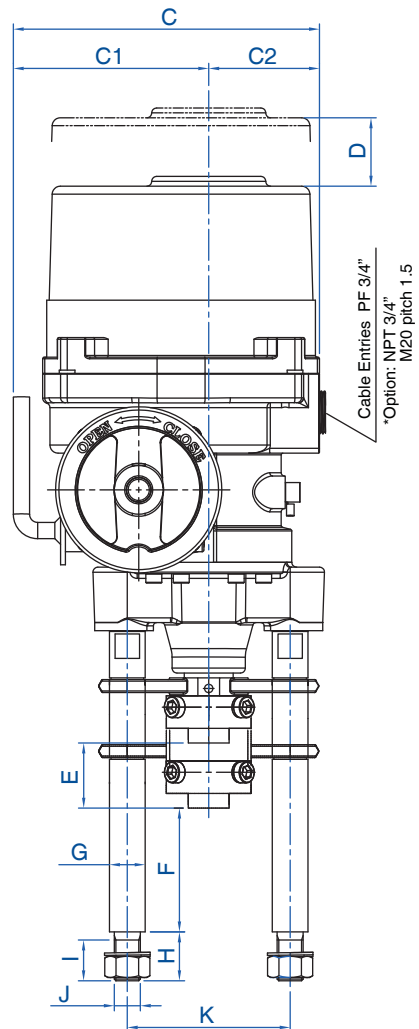
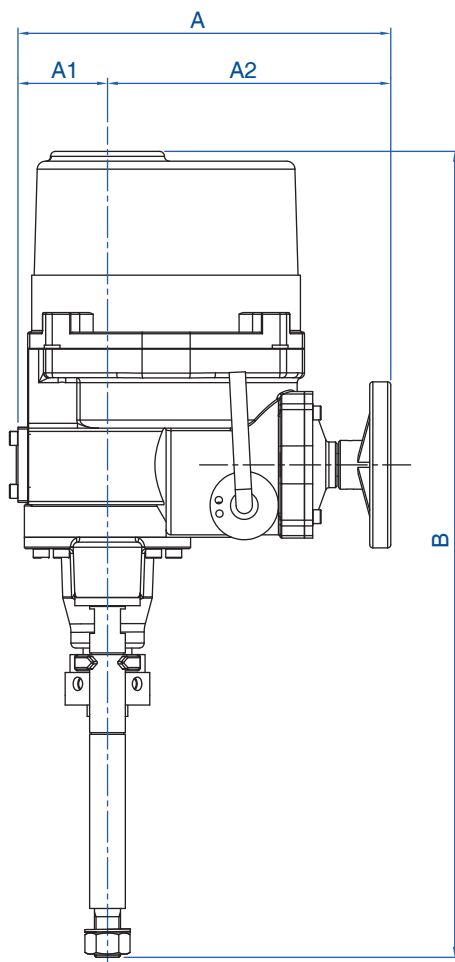
Features

- 1 Top Cover
- 2 Motor
Squirrel caged induction motor is totally enclosed type with high stall torque and low inertia force to suit seating/unseating of valves. Integral thermal protection to prevent damage to the single/three phase motor
- 3 Terminal
Quality terminal block containing segregated power and control terminal are designed for use in high vibration environments.
- 4 Limit Switch (Open, Close)
- 5 Manual Override (Hand/Auto Clutch System)
- 6 Torque Switch (Open, Close)
- 7 Worm, Worm Wheel precision machining of high-efficiency, low noise (50db or less), and compact, delivers greater Torque.
- 8 Base
- 9 Lever
- 10 Handle Wheel
- 11 Indicator
- 12 Pillar

Dimension



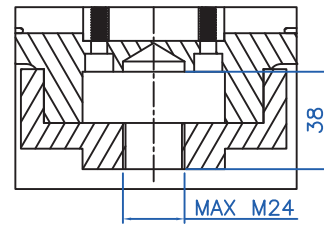
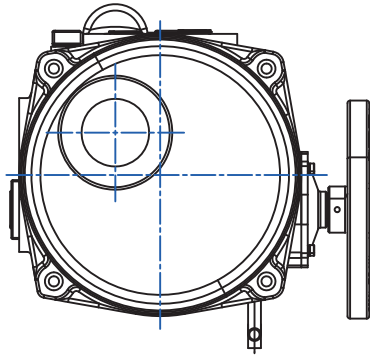
Bushing



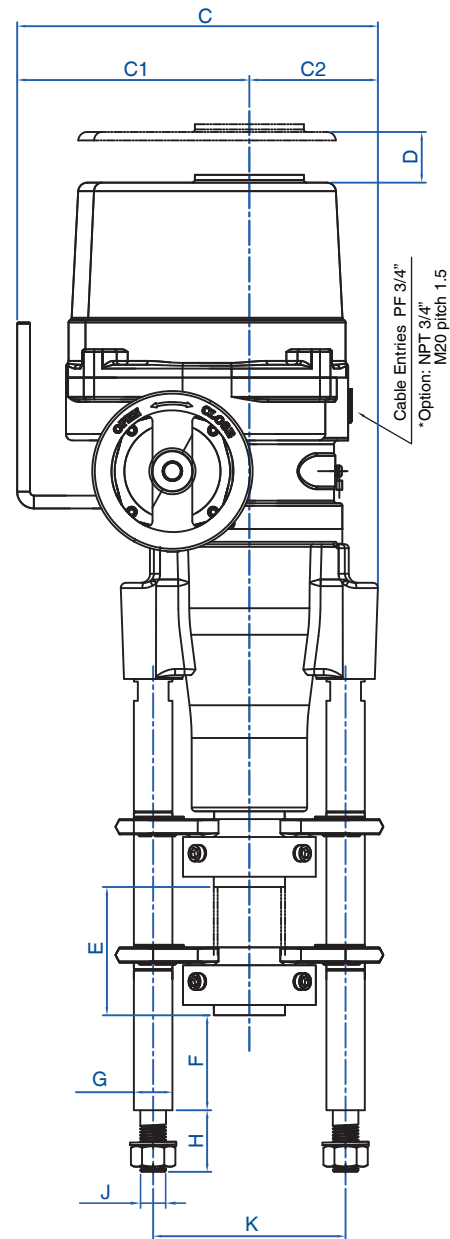
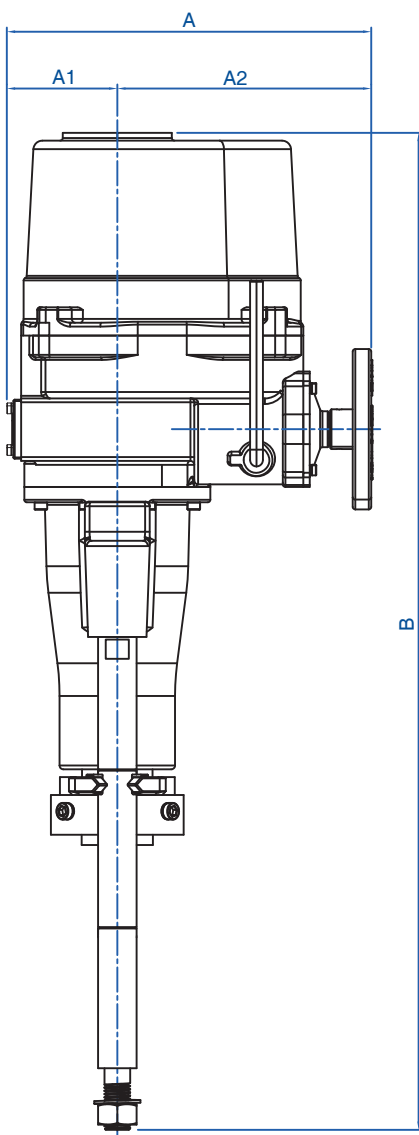
Cable Entries PF 3/4"
*Option: NPT 3/4"
M20 pitch 1.5

Type	A	A1	A2	B	C	C1	C2	D	E	F	G	H	I	J	K
NL04, NL06	229	55	174	495	188	120	68	108	40	76	∅ 22	30	25	M16	100
NL08, NL10	260	76	184	508	216	139	77	108	50	66	∅ 22	30	25	M16	100

Dimension



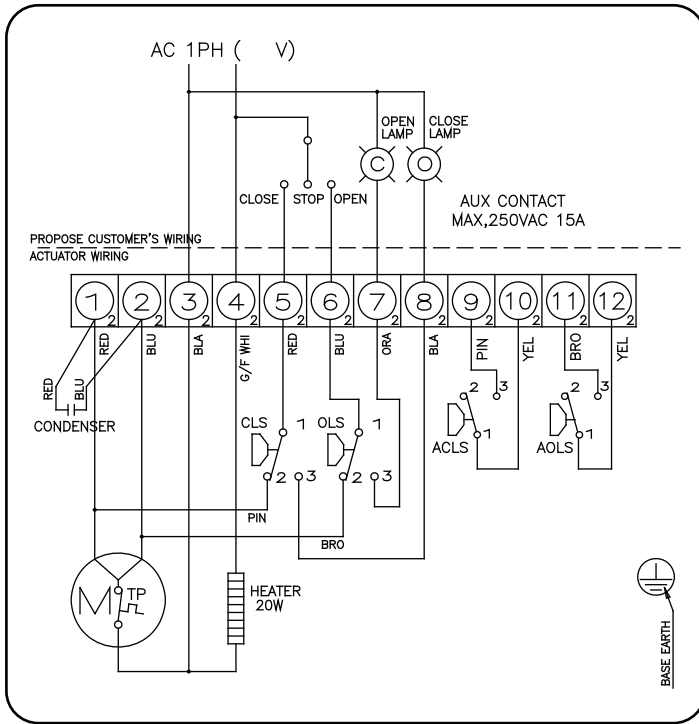
BUSHING



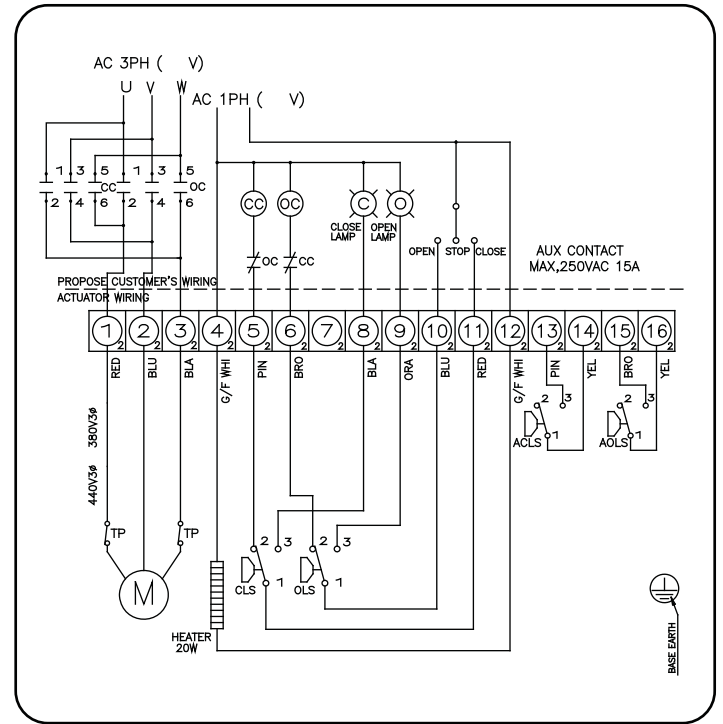
Type	A	A1	A2	B	C	C1	C2	D	E	F	G	H	J	K
NL20, NL25	284	86	198	777	281	181	100	130	100	74	∅ 30	48	M20	150

NL04, NL06 Wiring

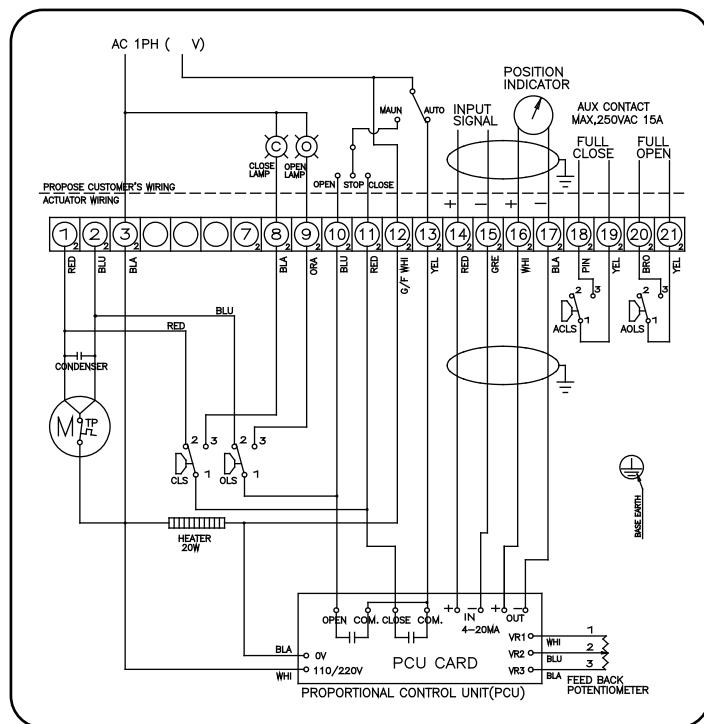
On,Off Type 1PH 110 / 220 VAC



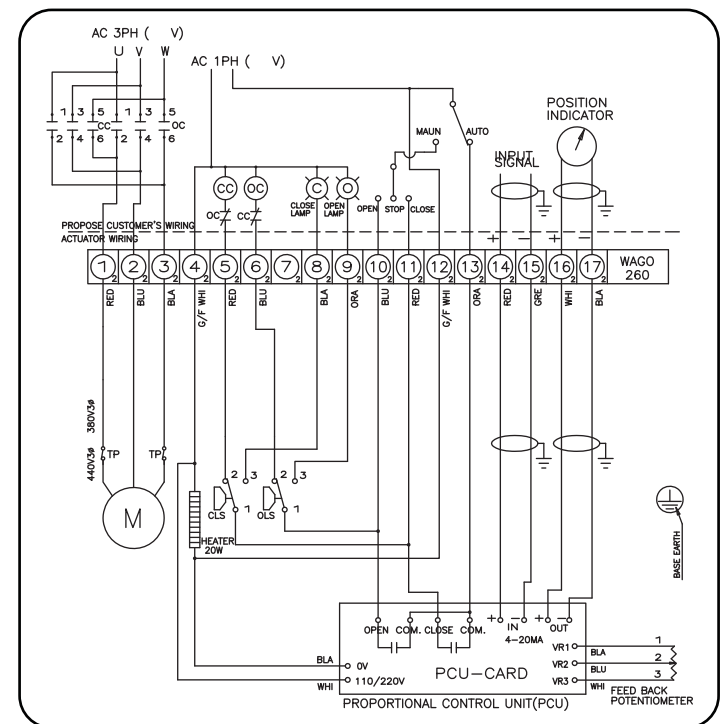
On,Off Type 3PH 380 / 440 VAC



Modulating Type 1PH 110 / 220 VAC

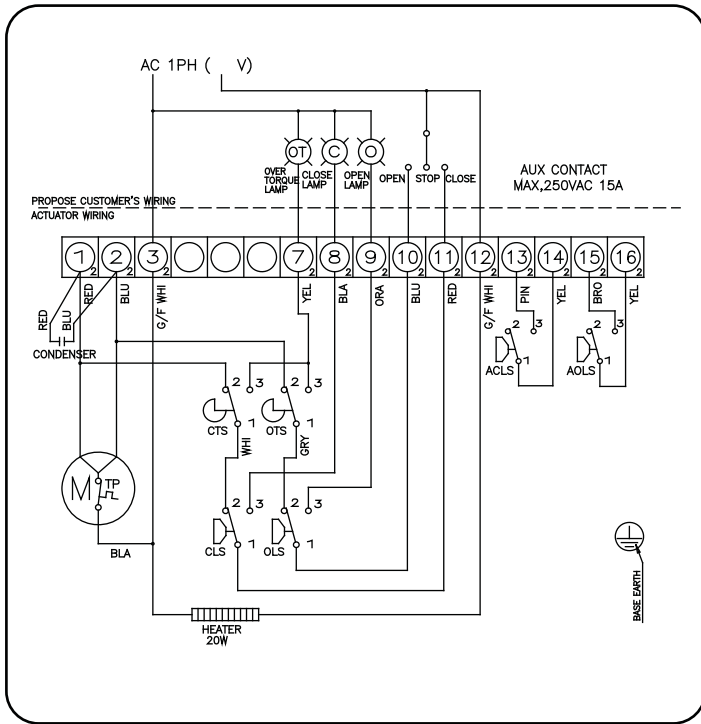


Modulating Type 3PH 380 / 440 VAC

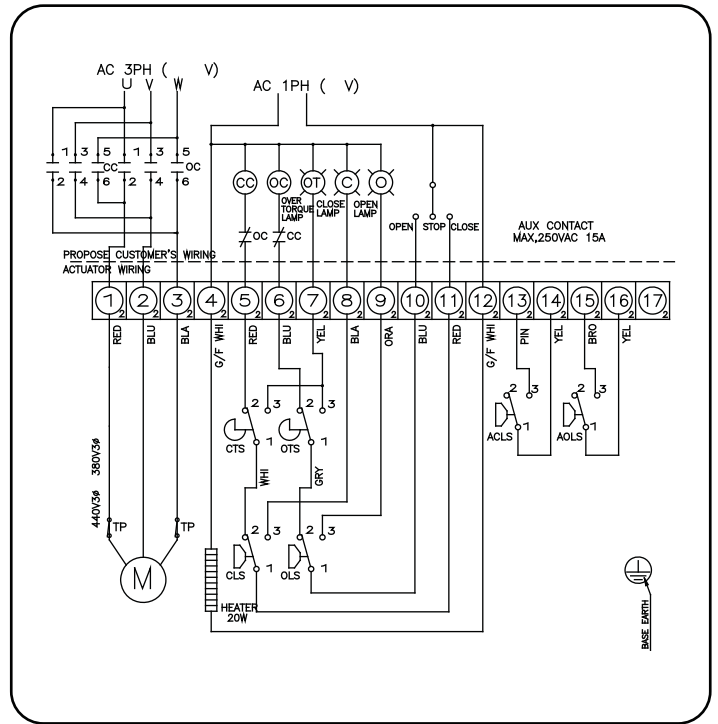


NL08, NL10, NL20, NL25 Wiring

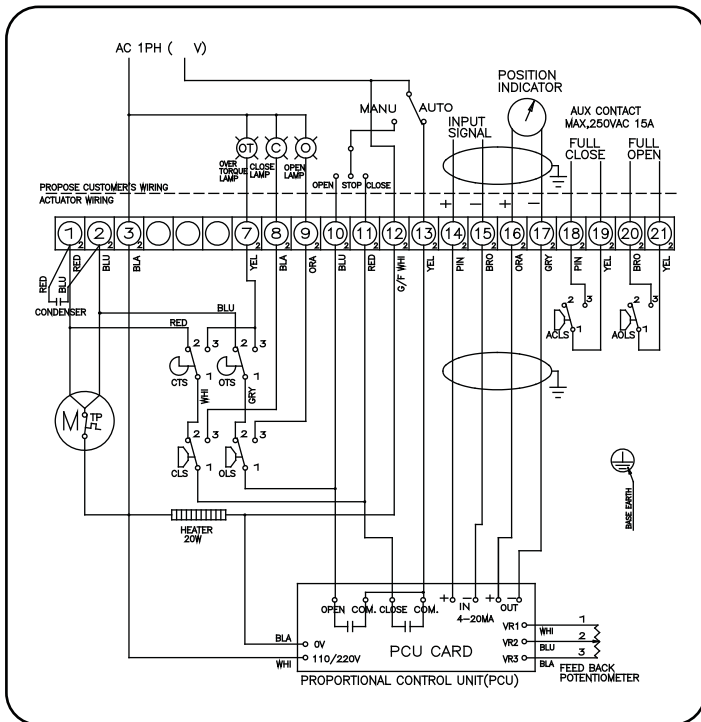
On,Off Type 1PH 110 / 220 VAC



On,Off Type 3PH 380 / 440 VAC



Modulating Type 1PH 110 / 220 VAC



Modulating Type 3PH 380 / 440 VAC

