

EMICO

Pneumatic Actuator NOD/NOS Series

EUNHA MACHINERY INDUSTRIAL CO., LTD. (EMICO)

(423-858) Unit 47, 425 Gilju-ro(70-1, Chunui-dong), Wonmi-gu, Bucheon-si Gyeonggi-do, Korea

TEL +82-2-806-4263 / FAX +82-2-806-4266

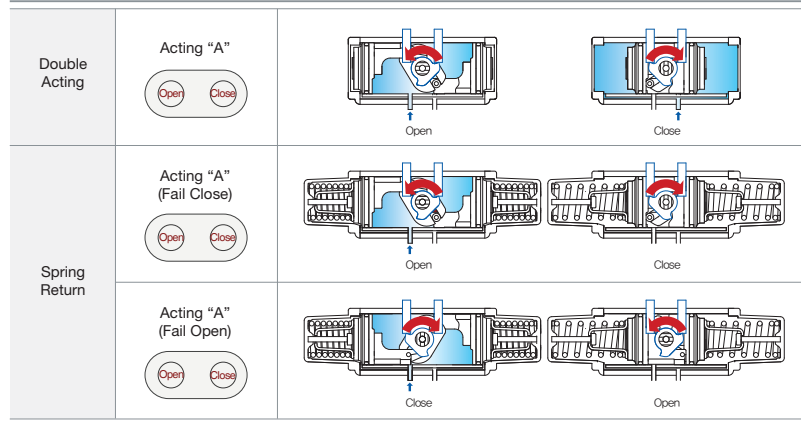
Overseas Sales: noah@emico.co.kr



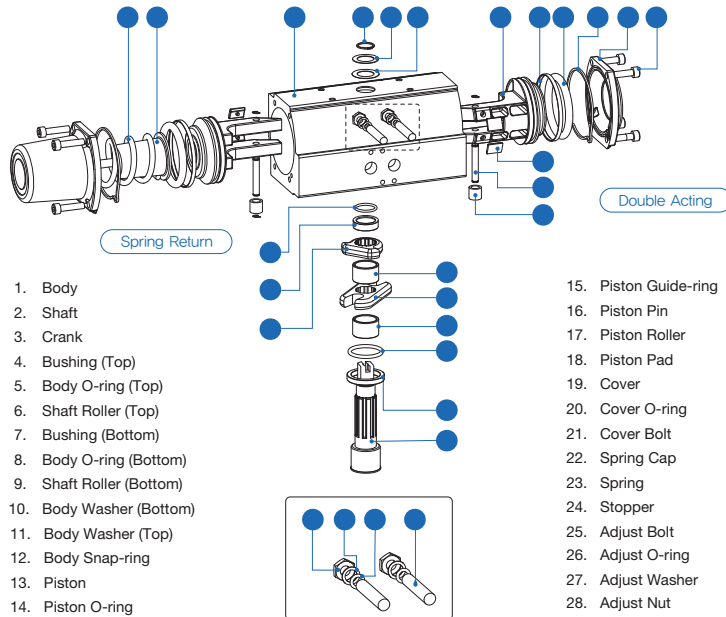
Distributed by



Operating Mechanism



Part List



NOD Series (Scotch-york Type) Torque Table

Model	Angle	3Bar		4Bar		5Bar		6Bar		7Bar		UNIT:Nm
		Close	Open	Close	Open	Close	Open	Close	Open	Close	Open	
NOD50	0°	29.0	21.0	37.0	28.0	38.0	37.0	42.0	41.0	46.5	45.4	
	45°	15.0	16.0	20.0	21.0	25.0	26.0	30.0	31.0	33.2	34.4	
	90°	25.0	25.0	33.0	38.0	39.0	40.0	50.0	52.0	55.4	57.6	
NOD65	0°	63.0	59.0	85.0	78.0	105.0	95.0	131.0	116.0	145.2	128.6	
	45°	33.0	38.0	45.0	49.0	57.0	63.0	68.0	73.0	75.4	80.9	
	90°	54.0	52.0	72.0	71.0	88.0	93.0	107.0	107.0	118.6	118.6	
NOD80	0°	121.0	105.0	164.0	143.0	156.0	183.0	261.0	210.0	289.3	232.7	
	45°	65.0	69.0	84.0	92.0	112.0	121.0	130.0	144.0	144.1	159.6	
	90°	97.0	101.0	130.0	133.0	171.0	156.0	198.0	209.0	219.4	231.6	
NOD100	0°	194.0	186.0	265.0	247.0	332.0	292.0	393.0	368.0	435.5	407.8	
	45°	110.0	127.0	147.0	165.0	185.0	196.0	237.0	250.0	262.7	277.1	
	90°	173.3	179.0	231.0	237.0	297.0	301.0	348.0	363.0	385.7	402.3	
NOD125	0°	428.0	432.0	576.0	551.0	725.0	678.0	886.9	793.9	983.0	880.0	
	45°	255.0	273.0	339.0	360.0	425.0	443.0	513.0	531.0	568.5	588.5	
	90°	385.0	375.0	510.0	491.0	635.0	613.0	750.0	732.0	831.2	811.2	
NOD140	0°	623.0	576.0	829.9	753.9	1104.9	922.9	1310.9	1096.9	1452.9	1215.8	
	45°	333.0	331.0	450.0	455.0	579.0	582.0	691.0	688.0	765.8	740.3	
	90°	520.0	523.0	689.0	720.0	862.9	879.9	1054.9	989.9	1169.2	1075.0	
NOD160	0°	952.9	812.9	1146.9	1061.9	1484.9	1311.9	1799.9	1599.9	1994.9	1773.2	
	45°	540.0	569.0	730.0	757.9	919.9	948.9	1109.9	1132.9	1230.2	1255.7	
	90°	879.0	978.9	1169.9	1319.9	1447.9	1634.9	1749.9	2026.9	1939.5	2246.4	
NOD185	0°	1528.8	1304.2	1840.0	1703.6	2382.2	2104.7	2887.5	2566.7	3200.4	2844.8	
	45°	830.2	874.8	1122.3	1165.3	1414.4	1458.9	1706.5	1741.8	1891.3	1930.5	
	90°	1294.0	1493.6	1720.5	1941.1	2129.9	2404.3	2573.4	2980.7	2852.2	3303.6	
NOD210	0°	1979.9	1909.9	2799.8	2599.8	3299.8	3199.8	3919.7	3819.7	4344.4	4233.6	
	50°	1099.9	1149.9	1459.9	1499.9	1919.9	1949.9	2299.8	2399.8	2549.0	2659.8	
	90°	1669.9	1719.9	2149.9	2299.8	2799.8	2899.8	3349.8	3449.8	3712.7	3823.5	
NOD250	0°	4100.0	3000.0	5500.0	3950.0	7100.0	4850.0	8480.0	5750.0	9398.7	6372.9	
	50°	1890.0	1850.0	2550.0	2500.0	3200.0	3150.0	3800.0	3760.0	4221.7	4167.3	
	90°	3100.0	3400.0	4180.0	4580.0	5240.0	5850.0	6180.0	7050.0	6949.5	7813.8	
NOD300	0°	7211.0	5049.0	9615.0	6732.0	12019.0	8416.0	14422.0	10099.0	15984.4	11193.1	
	50°	2970.0	2970.0	3960.0	3960.0	4950.0	4950.0	5940.0	5940.0	6583.5	6583.5	
	90°	5049.0	7211.0	6732.0	9415.0	8416.0	12019.0	10099.0	14422.0	11193.1	15984.4	

NOS Series (Scotch-york Type) Torque Table

Model	Angle	Spring Torque: Weak		Spring Torque: Middle		Spring Torque: Strong		UNIT:Nm
		Spring to Close	Air to Open: 3Bar	Spring to Close	Air to Open: 4.5Bar	Spring to Close	Air to Open: 6Bar	
NOS50	0°	10.0	20.0	14.0	26.0	17.0	34.0	
	45°	9.0	9.0	12.0	12.0	15.0	15.0	
	90°	20.0	10.0	26.0	14.0	34.0	17.0	
NOS65	0°	22.0	39.0	35.0	54.0	48.0	70.0	
	45°	18.0	18.0	23.0	28.0	37.0	32.0	
	90°	38.0	22.0	54.0	35.0	70.0	48.0	
NOS80	0°	40.0	70.0	60.0	100.0	80.0	130.0	
	45°	30.0	30.0	50.0	50.0	70.0	70.0	
	90°	70.0	40.0	100.0	60.0	130.0	80.0	
NOS100	0°	70.0	140.0	100.0	190.0	130.0	240.0	
	45°	50.0	50.0	80.0	80.0	110.0	110.0	
	90°	140.0	70.0	190.0	100.0	240.0	130.0	
NOS125	0°	175.0	251.0	243.0	403.0	358.0	520.0	
	45°	105.0	125.0	177.0	182.0	215.0	254.0	
	90°	215.0	168.0	395.0	210.0	441.0	341.0	
NOS140	0°	200.0	370.0	371.0	576.0	480.0	726.0	
	45°	170.0	170.0	236.0	265.0	330.0	360.0	
	90°	370.0	200.0	447.0	366.0	680.0	430.0	
NOS160	0°	400.0	540.0	550.0	750.0	769.9	1149.9	
	45°	290.0	290.0	420.0	420.0	560.0	560.0	
	90°	540.0	400.0	750.0	550.0	1149.9	769.9	
NOS185	0°	641.7	966.3	882.3	1203.1	1235.2	1844.8	
	50°	445.8	445.8	645.7	645.7	860.9	860.9	
	90°	794.1	588.2	1102.9	808.8	1691.1	1132.3	
NOS210	0°	840.0	910.0	1250.0	1510.0	1750.0	2160.0	
	50°	500.0	430.0	740.0	780.0	1040.0	1130.0	
	90°	1000.9	500.0	1500.0	920.0	2140.0	1370.0	
NOS250	0°	1540.0	1900.0	2120.0	2760.0	3060.0	3660.0	
	50°	920.0	950.0	1320.0	1370.0	1830.0	1900.0	
	90°	1800.0	1400.0	2470.0	2200.0	3550.0	2760.0	
NOS300	0°	2870.0	4283.0	4308.0	6421.0	5740.0	8566.0	
	50°	1447.0	1523.0	2172.0	2383.0	2894.0	3046.0	
	90°	2928.0	2180.0	4396.0	3266.0	5857.0	4359.0	

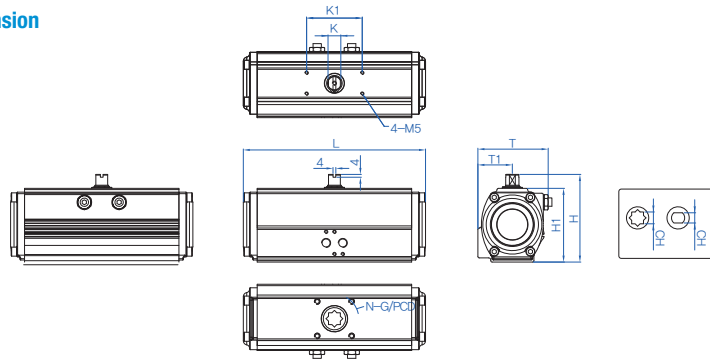
NOD Series Double Acting

90 ° Operation for valves and damper

Specification

Model	NOD50	NOD65	NOD80	NOD100	NOD125	NOD140	NOD160	NOD185	NOD210	NOD250	NOD300
Operation Mechanism	Scotch – Yoke										
Operating fluid	Compressed dry air										
Operating Pressure	4bar ~ 7bar										
Operating Temperature	-20 ~ 80°C										
Weight (kg)	1.6	2.7	4.3	7.5	11.6	18.9	26.3	62.6	47.2	65.8	78.0

Dimension



UNIT:mm

Model	ISO	P.C.D	N-G	K	K1	L	T	T1	H	H1	CH	DP	Weight
NOD50	F03/F05/F07	36/50	4-M6/4-M8	10	80	162	75	40	90	70	11x11	13	1.6
											14x14	14	
											9.7xφ15	14	
NOD65	F05/F07	50/70	4-M8	13	80	202	89	46	107	87	14x14	17	2.7
											11.7xφ17	17	
											9.7xφ15	14	
NOD80	F07	70	4-M8	17	80	262	101	49.5	126	106	17x17	19	4.3
											14.7xφ19	20	
											22x22	26	
NOD100	F07/F10	70/102	4-M8/4-M10	22	80	311	129	61.5	148	128	17.7xφ22	27	7.5
											22x22	26	
											17.7xφ22	27	
NOD125	F07/F10	70/102	4-M8/4-M10	22	80	390	151	71.5	174	154	22x22	26	11.6
											27x27	30	
											22x22	26	
NOD140	F10/F12	102/125	4-M10/4-M12	24	80	431	164	77	192	172	27x27	30	18.9
											22x22	26	
											22x22	26	
NOD160	F14 F10/F12	140 102/125	4-M16 4-M10/4-M12	24	80	506	188	89	216	196	36x36	30	26.3
											27x27	30	
											27x27	30	
NOD185	F14	140	4-M16	30	80/130	578	217	102	254	224	36x36	30	62.6
											36x36	30	
											36x36	30	
NOD210	F16	165	4-M20	36	130	605	231	115	284	254	46x46	60	45.5
											36x36	50	
											36x36	50	
NOD250	F16	165	4-M20	36	130	755	301	152	335	305	46x46	60	65.8
											46x46	60	
											46x46	60	
NOD300	F16/F25	165/254	4-M20/8-M16	36	130	900	360	170	408	378	55x55	30	78.0
											55x55	30	
											55x55	30	

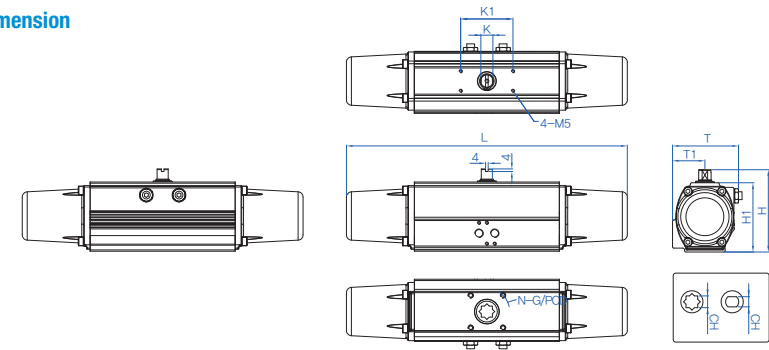
NOS Series Single Acting

90 ° Operation for valves and damper

Specification

Model	NOS50	NOS65	NOS80	NOS100	NOS125	NOS140	NOS160	NOS185	NOS210	NOS250	NOS300
Operation Type	Scotch – Yoke										
Operating fluid	Compressed Dry Air										
Operating Pressure	4bar ~ 7bar										
Operating Temperature	-20 ~ 80°C										
Weight (kg)	1.7	3.4	5.7	10.6	17.9	25.2	36.8	62.5	76.9	119.6	145.0

Dimension



UNIT:mm

Model	ISO	P.C.D	N-G	K	K1	L	T	T1	H	H1	CH	DP	Weight
NOS50	F03/F05/F07	36/50/70	4-M5/4-M6 /4-M8	10	80	257	75	40	90	70	11x11	13	1.7
											14x14	14	
											9.7xφ15	14	
NOS65	F05/F07	50/70	4-M6/4-M8	13	80	314	89	46	107	87	14x14	17	3.4
											11.7xφ17	17	
											9.7xφ15	14	
NOS80	F07	70	4-M8	17	80	430	101	49.5	126	106	17x17	19	5.7
											14.7xφ19	20	
											22x22	26	
NOS100	F07/F10	70/102	4-M8/4-M10	22	80	500	129	61.5	148	128	22x22	26	10.6
											17.7xφ22	27	
											17.7xφ22	27	
NOS125	F07/F10	70/102	4-M8/4-M10	22	80	606	151	71.5	174	154	22x22	26	17.9
											27x27	30	
											22x22	26	
NOS140	F10/F12	102/125	4-M10/4-M12	24	80	682	164	77	192	172	27x27	30	25.2
											22x22	26	
											22x22	26	
NOS160	F14 F10/F12	140 102/125	4-M16 4-M10/4-M12	24	80	781	188	89	216	196	36x36	30	36.8
											27x27	30	
											27x27	30	
NOS185	F14	140	4-M16	30	130	894	217	102	254	224	36x36	30	62.5
											36x36	30	
											36x36	30	
NOS210	F16	165	4-M20	36	130	982	231	115	284	254	46x46	60	76.9
											36x36	50	
											36x36	50	
NOS250	F16	165	4-M20	36	130	1108	301	152	335	305	46x46	60	119.6
											46x46	60	
											46x46	60	
NOS300	F16/F25	165/254	4-M20/4-M16	36	130	1344	360	170	408	378	55x55	30	145.0
											55x55	30	
											55x55	30	